

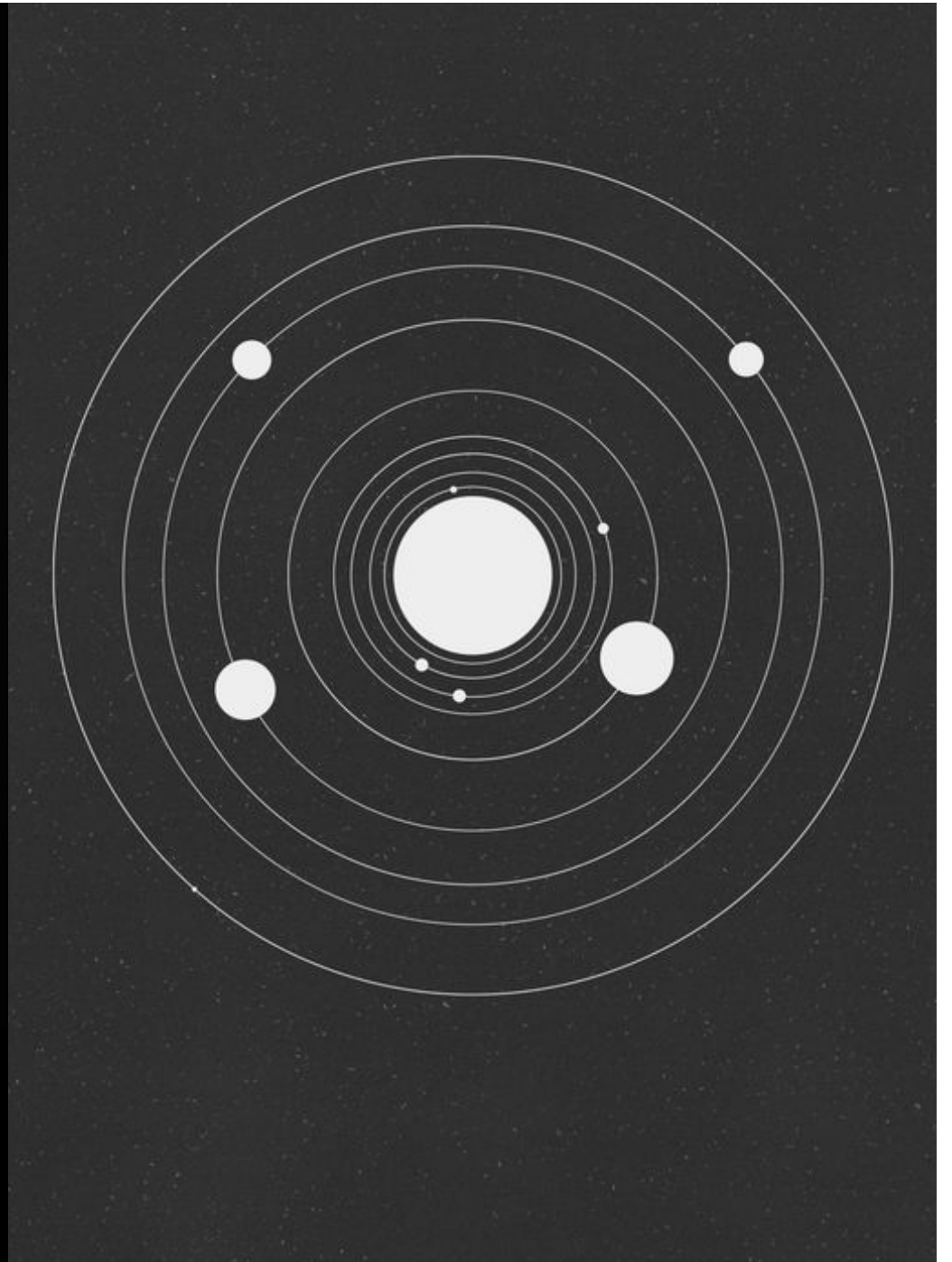


orbital

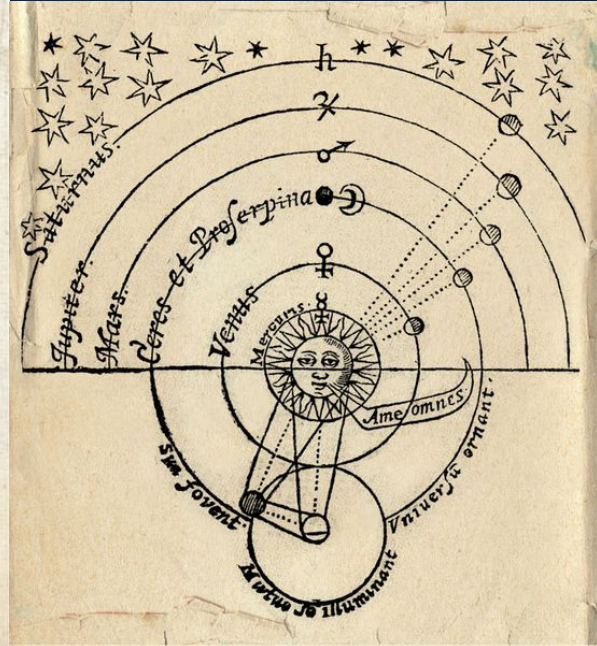
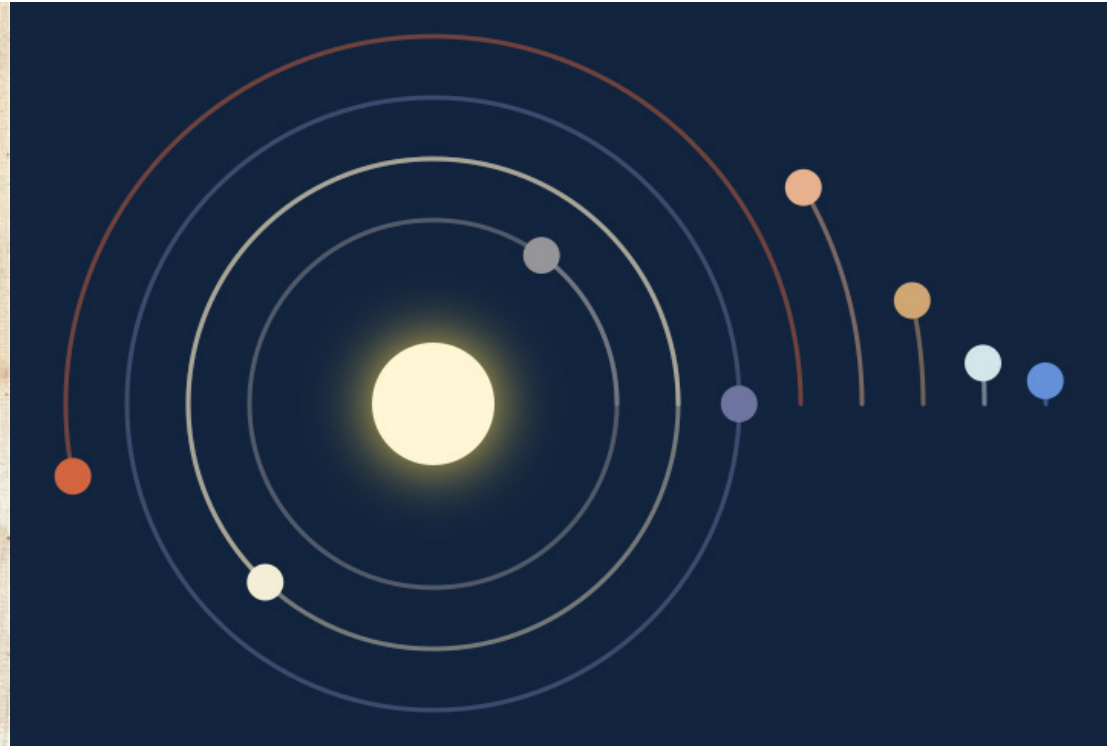
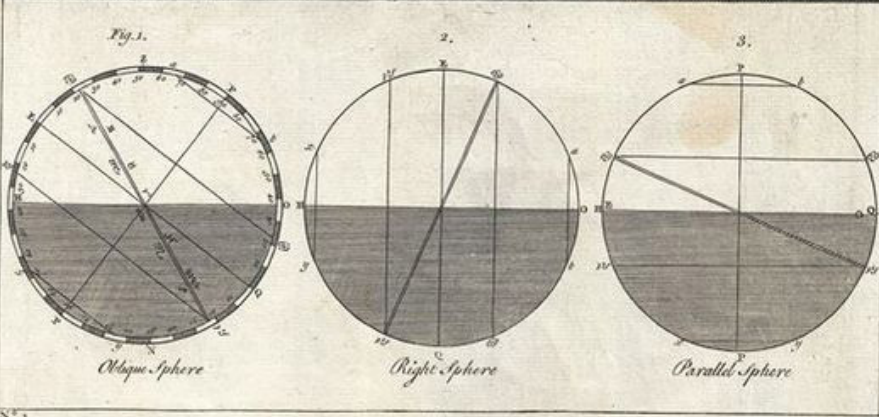
loomma



inspiration



The SOLAR SYSTEM with the Orbits of 5 remarkable COMETS.



ORBITAL
Crossing galactic paths.

Orbital paths of multicolored celestial bodies with hypnotically glowing cores. This ingenious design of hand-blown glass lenses, held together by a metal mounting, creates a fascinating visual experience from different angles.

Design by Studio deFORM

production





projects



BOMMA catalogue, 2021



BOMMA Atelier, Prague, 2021



Comforty, 2019



PalermoUno, 2019



Canape by SOFFA, 2018



Minotti catalogue, 2020

options



polaris white
patina gold fitting



venus pink
silver fitting



mercury black
gold fitting



clear
patina gold fitting

pendant

Glass options: polaris white, venus pink,
mercury black, clear
Fitting options: gold, silver, patina gold

lomma



polaris white
patina gold fitting



venus pink
patina gold fitting



mercury black
gold fitting



clear
patina gold fitting

wall & ceiling

Glass options: polaris white, venus pink,
mercury black, clear
Fitting options: gold, silver, patina gold



polaris white
patina gold fitting



venus pink
silver fitting



mercury black
gold fitting



clear
patina gold fitting

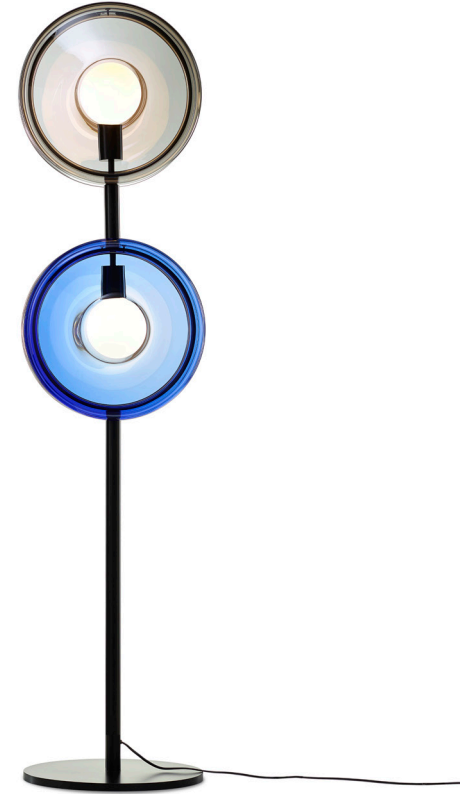
table

Glass options: polaris white, venus pink,
mercury black, clear
Fitting options: gold, silver, patina gold

lomma



polaris white + venus pink
gold fitting



mercury black + neptune blue
black fitting

floor

Glass options: polaris white, venus pink,
mercury black, clear
Fitting options: gold, silver, patina gold

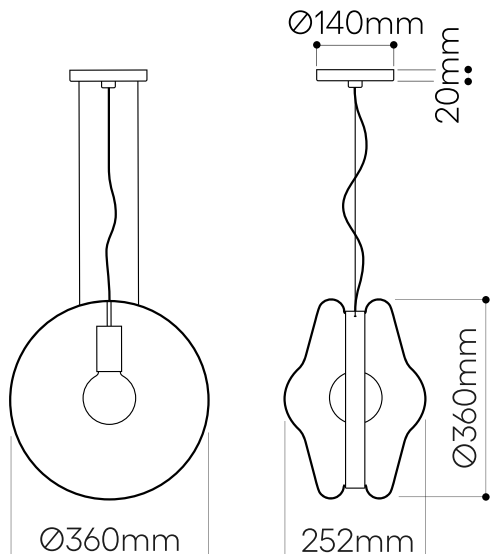
technical informations

ORBITAL pendant

Design by
Studio deFORM

All Bomma products are hand-made from mouth-blown lead-free crystal. Therefore any small bubbles, non-melts and irregularities in the glass are both proof and a characteristic feature of this traditional craft.

The Orbital Collection is made by underlying colored glass technology. Thanks to the manual process of blowing underlay glass, each piece is an original. Individual products may vary slightly in intensity, hue or even color. This is an accompanying characteristic of the traditional underlay glass technology.



LIGHTING DESCRIPTION

Size	360 × 254 × 360 mm 14,2 × 10 × 14,2 inch
Cable	black textile braid 2,5 m / 98,4 inch
Weigh	9 kg / 19,8 lb
Material	mouth-blown lead-free crystal with in Moon clear, Venus pink, Polaris white, Neptune blue, Mercury black and Pluto green
Mounting Materials	brushed stainless steel with titan coating / polished stainless steel / polished stainless steel with nitride titan coating / stainless steel with black powder coating
Mounting Colors	patina gold / silver
Protection	IP 20
Nominal voltage	220-230V / A.C. 50 hz (EU) 100-120 V / A.C. 60 Hz (USA)
Class	I. EU / I. USA

LIGHT SOURCE

Type	G80, 6W LED, 510 lm
Base	E27 EU / E26 USA
Voltage	200-240V, AC / 100-140V, AC
Temperature	2700 K
Color index	RA 90+
Dimming	Dimmable with TRIAC ; on demand dimmable with DALI, RF/WIFI, for information on dimming with other systems please contact your Bomma partner.

PACKAGING

Material	Cardboard
Size	510 × 430 × 430 mm 20,1 × 16,9 × 16,9 inch

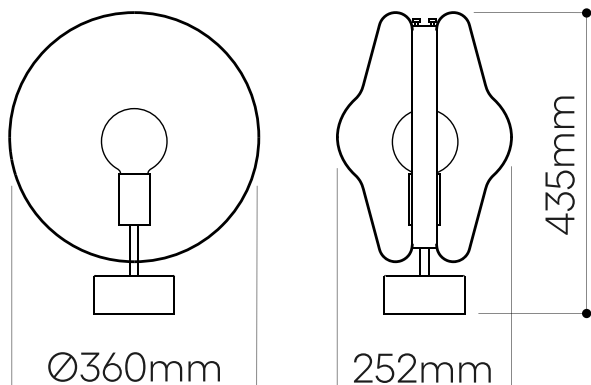
Origin: traditionally produced in the Czech Republic
Intellectual property license holder: Bomma Czech Republic (EU)
represented by Bohemia Machine s.r.o.

ORBITAL table lamp

Design by
Studio deFORM

All Bomma products are hand-made from mouth-blown lead-free crystal. Therefore any small bubbles, non-melts and irregularities in the glass are both proof and a characteristic feature of this traditional craft.

The Orbital Collection is made by underlying colored glass technology. Thanks to the manual process of blowing underlay glass, each piece is an original. Individual products may vary slightly in intensity, hue or even color. This is an accompanying characteristic of the traditional underlay glass technology.



LIGHTING DESCRIPTION

Size	360 × 435 × 252 mm 14,2 × 17,1 × 9,9 inch
Cable	black textile braid 1,8 m / 70,9 inch
Weigh	12 kg / 26,4 lb
Material	mouth-blown lead-free crystal with in Moon clear, Venus pink, Polaris white, Neptune blue, Mercury black and Pluto green
Mounting Materials	brushed stainless steel with titan coating / polished stainless steel / polished stainless steel with nitride titan coating / stainless steel with black powder coating
Mounting Colors	patina gold / silver
Protection	IP 20
Nominal voltage	220-230V / A.C. 50 hz (EU) 100-120 V / A.C. 60 Hz (USA)
Class	I. EU / I. USA

LIGHT SOURCE

Type	G80, 6W LED, 510 lm
Base	E27 EU / E26 USA
Voltage	200-240V, AC / 100-140V, AC
Temperature	2700 K
Color index	RA 90+
Dimming	Dimmable with TRIAC ; on demand dimmable with DALI, RF/WIFI, for information on dimming with other systems please contact your Bomma partner. Dimmer within the power cable.

PACKAGING

Material	Cardboard
Size	510 × 430 × 430 mm 20,1 × 16,9 × 16,9 inch

Origin: traditionally produced in the Czech Republic
Intellectual property license holder: Bomma Czech Republic (EU)
represented by Bohemia Machine s.r.o.

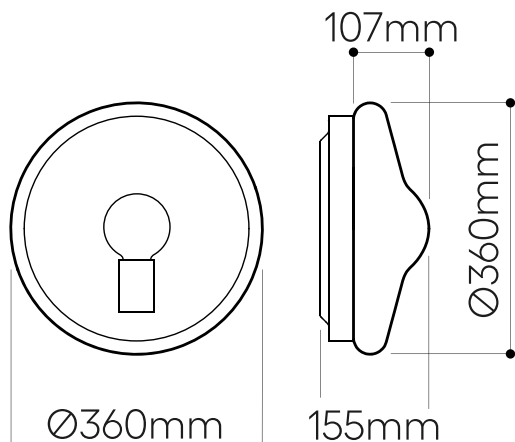
ORBITAL

wall & ceiling lighting

Design by
Studio deFORM

All Bomma products are hand-made from mouth-blown lead-free crystal. Therefore any small bubbles, non-melts and irregularities in the glass are both proof and a characteristic feature of this traditional craft.

The Orbital Collection is made by underlying colored glass technology. Thanks to the manual process of blowing underlay glass, each piece is an original. Individual products may vary slightly in intensity, hue or even color. This is an accompanying characteristic of the traditional underlay glass technology.



LIGHTING DESCRIPTION

Size	360 × 155 × 360 mm 14,2 × 6,1 × 14,2 inch
Weight	6,8 kg / 15 lb
Material	mouth-blown lead-free crystal with in Moon clear, Venus pink, Polaris white, Neptune blue, Mercury black and Pluto green
Mounting Materials	brushed stainless steel with titan coating / polished stainless steel / polished stainless steel with nitride titan coating / stainless steel with black powder coating
Mounting Colors	patina gold / silver
Protection	IP 20
Nominal voltage	220-230V / A.C. 50 hz (EU) 100-120 V / A.C. 60 Hz (USA)
Class	I. EU / I. USA

LIGHT SOURCE

Type	G80, 6W LED, 510 lm
Base	E27 EU / E26 USA
Voltage	200-240V, AC / 100-140V, AC
Temperature	2700 K
Color index	RA 90+
Dimming	Dimmable with TRIAC ; on demand dimmable with DALI, RF/WIFI, for information on dimming with other systems please contact your Bomma partner.

PACKAGING

Material	Cardboard
Size	510 × 430 × 430 mm 20,1 × 16,9 × 16,9 inch

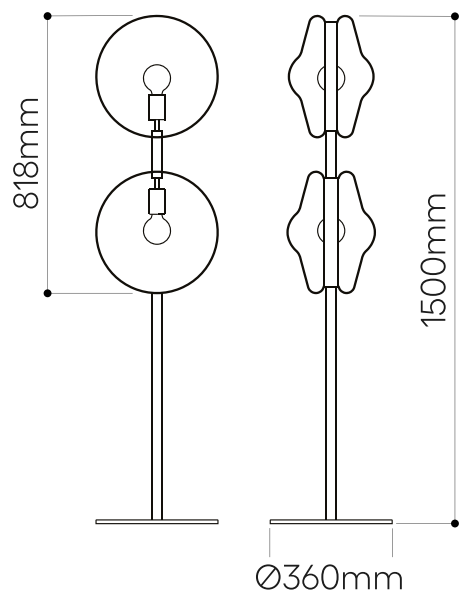
Origin: traditionally produced in the Czech Republic
Intellectual property license holder: Bomma Czech Republic (EU)
represented by Bohemia Machine s.r.o.

ORBITAL floor lamp

Design by
Studio deFORM

All Bomma products are hand-made from mouth-blown lead-free crystal. Therefore any small bubbles, non-melts and irregularities in the glass are both proof and a characteristic feature of this traditional craft.

The Orbital Collection is made by underlying colored glass technology. Thanks to the manual process of blowing underlay glass, each piece is an original. Individual products may vary slightly in intensity, hue or even color. This is an accompanying characteristic of the traditional underlay glass technology.



LIGHTING DESCRIPTION

Size	360 × 1500 mm 14,2 × 59 inch
Cable	black, textile braid 3 m / 118,1 inch
Weight	35 kg / 77 lb
Material	mouth-blown lead-free crystal with in Moon clear, Venus pink, Polaris white, Neptune blue, Mercury black and Pluto green
Mounting Materials	brushed stainless steel with titan coating / polished stainless steel / polished stainless steel with nitride titan coating / stainless steel with black powder coating
Mounting Colors	black / gold
Protection	IP 20
Nominal voltage	220-230V / A.C. 50 hz (EU) 100-120 V / A.C. 60 Hz (USA)
Class	II. EU / I. USA

LIGHT SOURCE

Type	G80, 6W LED, 510 lm
Base	E27 EU / E26 USA
Voltage	200-240V, AC / 100-140V, AC
Temperature	2700 K
Color index	RA 90+
Dimming	Dimmable with TRIAC ; on demand dimmable with DALI, RF/WIFI, for information on dimming with other systems please contact your Bomma partner. Dimmer within the power cable.

PACKAGING

Material	Cardboard
Size	510 × 430 × 430 mm 20,1 × 16,9 × 16,9 inch 1550 × 540 × 540 mm 61 × 21,3 × 21,3 inch

BMRC Group s.r.o.
Hvězdova 1716/2b,
Prague 4, 140 00,
Czech Republic

info@bomma.cz

step beyond